

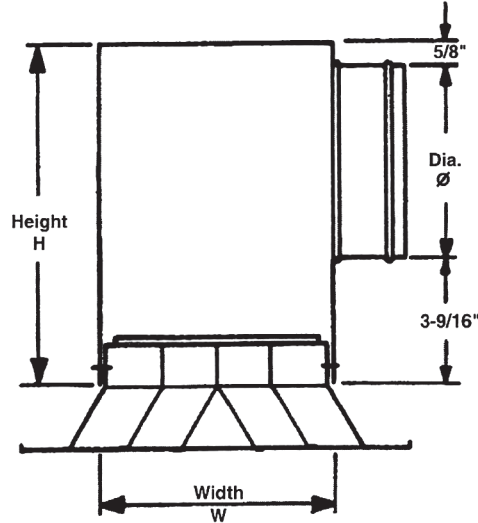
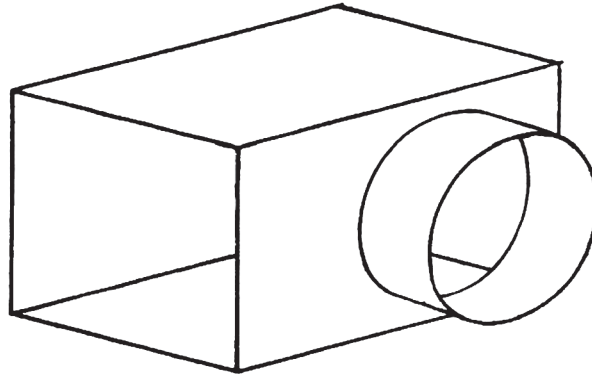
# 2022 Products

الكندية للتقوى الكمبرانية المتطورة

**CANADA DUCT** Ltd.

PLENUM BOXES  
Product Catalogue

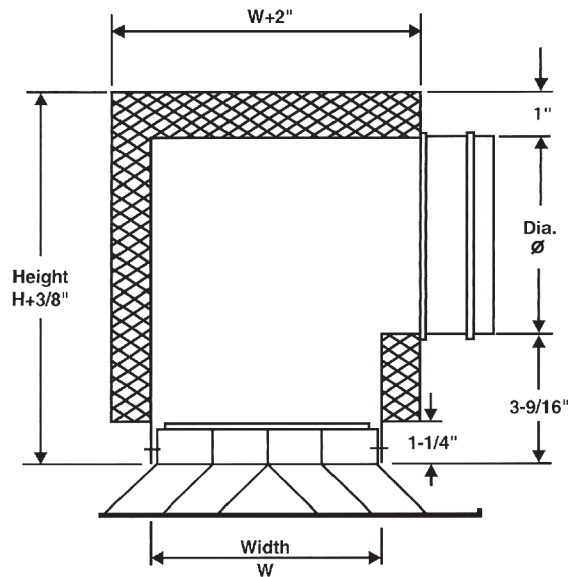
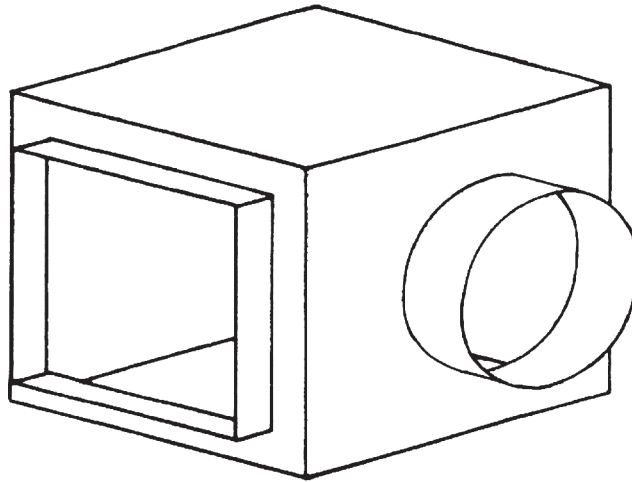




### Sizes

Sizes (in.)	ØD (in.)	W (in.)	H (in.)
6 x 6	5	6.28	9.14
9 x 9	8	9.28	12.13
12 x 12	10	12.28	14.13
15 x 15	12	15.28	16.14
18 x 18	16	18.28	20.14
21 x 21	16	21.28	20.14
24 x 24	20	24.28	24.14

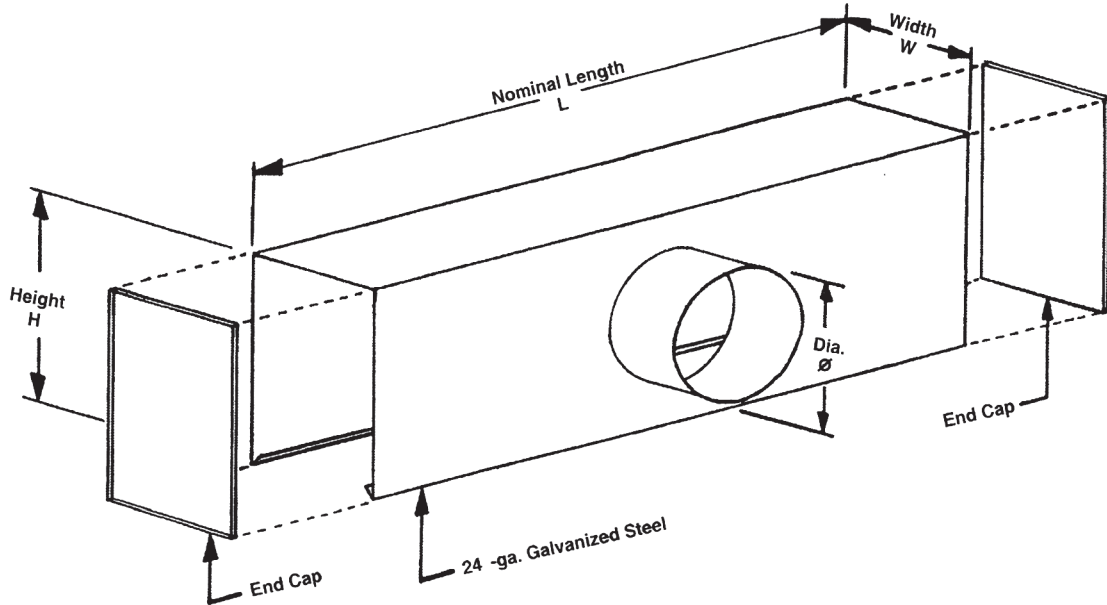
All plenums its length more than 2000mm will be connected as more than one part as required



### Sizes

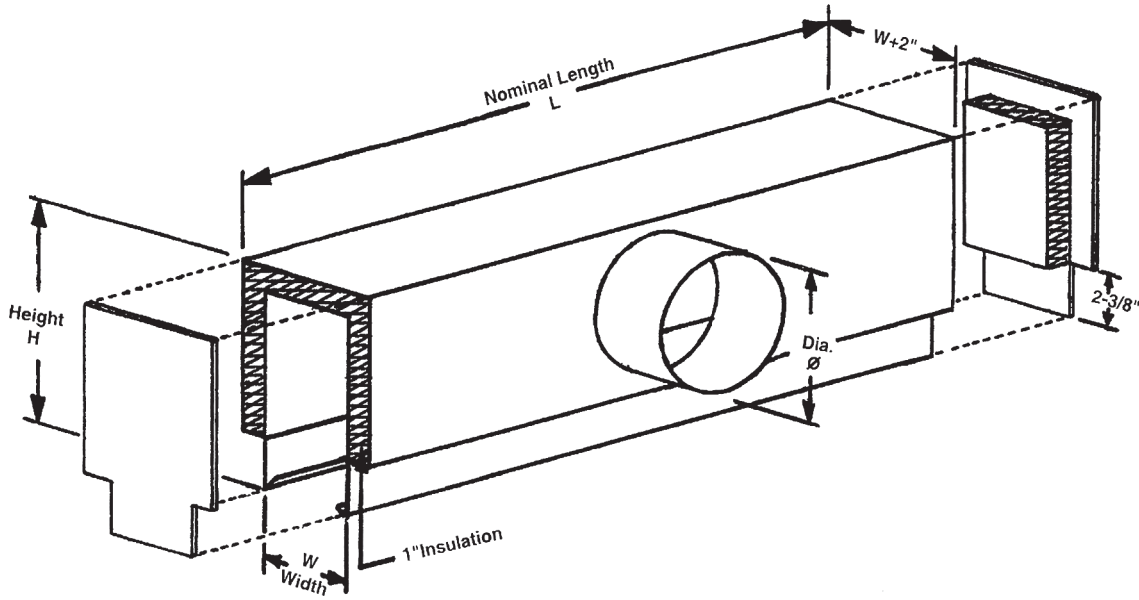
Sizes (in.)	ØD (in.)	W (in.)	H (in.)
6 x 6	5	6.28	9.14
9 x 9	8	9.28	12.13
12 x 12	10	12.28	14.13
15 x 15	12	15.28	16.14
18 x 18	16	18.28	20.14
21 x 21	16	21.28	20.14
24 x 24	20	24.28	24.14

All plenums its length more than 2000mm will be connected as more than one part as required



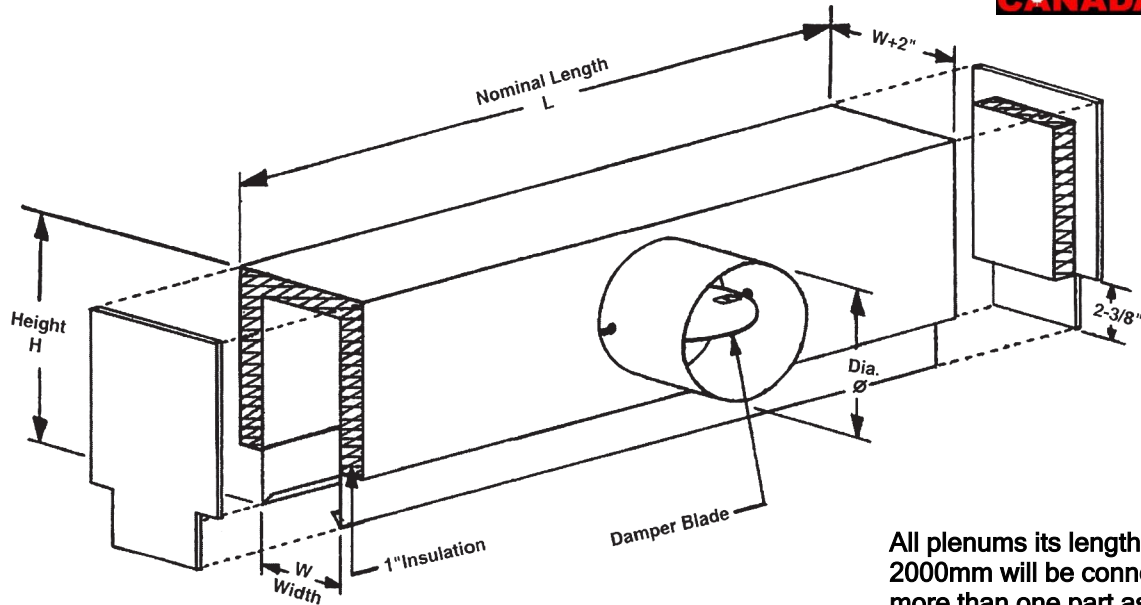
No. of Slots	1	2	3	4	5	6	7	8
Height (in.)	8.36	9.36	11.36	11.36	13.36	13.36	15.36	15.36
Width (in.)	2.28	3.62	4.96	6.29	7.68	9.02	10.28	11.57
Diameter (in.)	5	6	8	8	10	10	12	12
Spigot Length – Without Damper. (in.)	4	4	4	4	4	4	4	4

All plenums its length more than 2000mm will be connected as more than one part as required

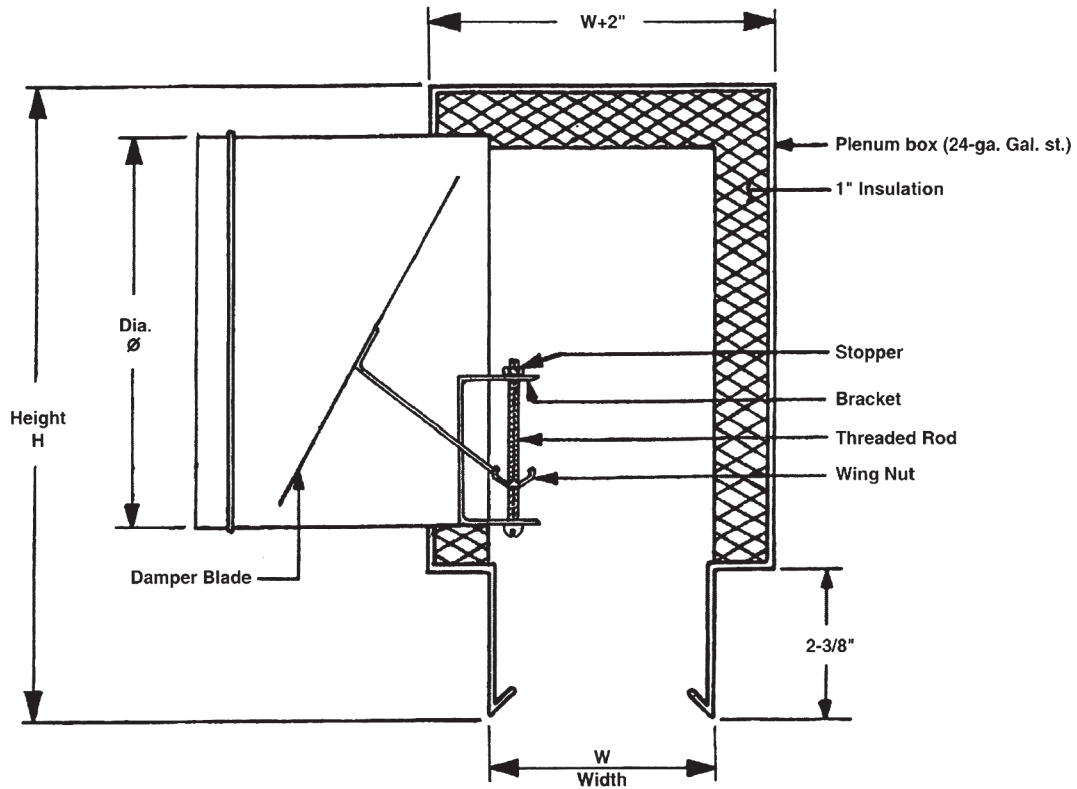


All plenums its length more than 2000mm will be connected as more than one part as required

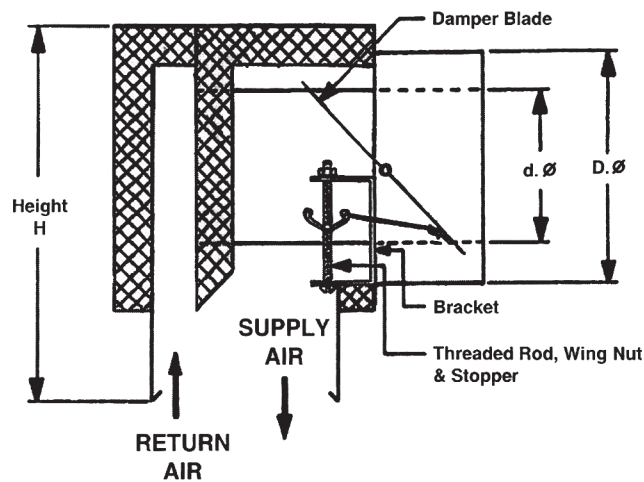
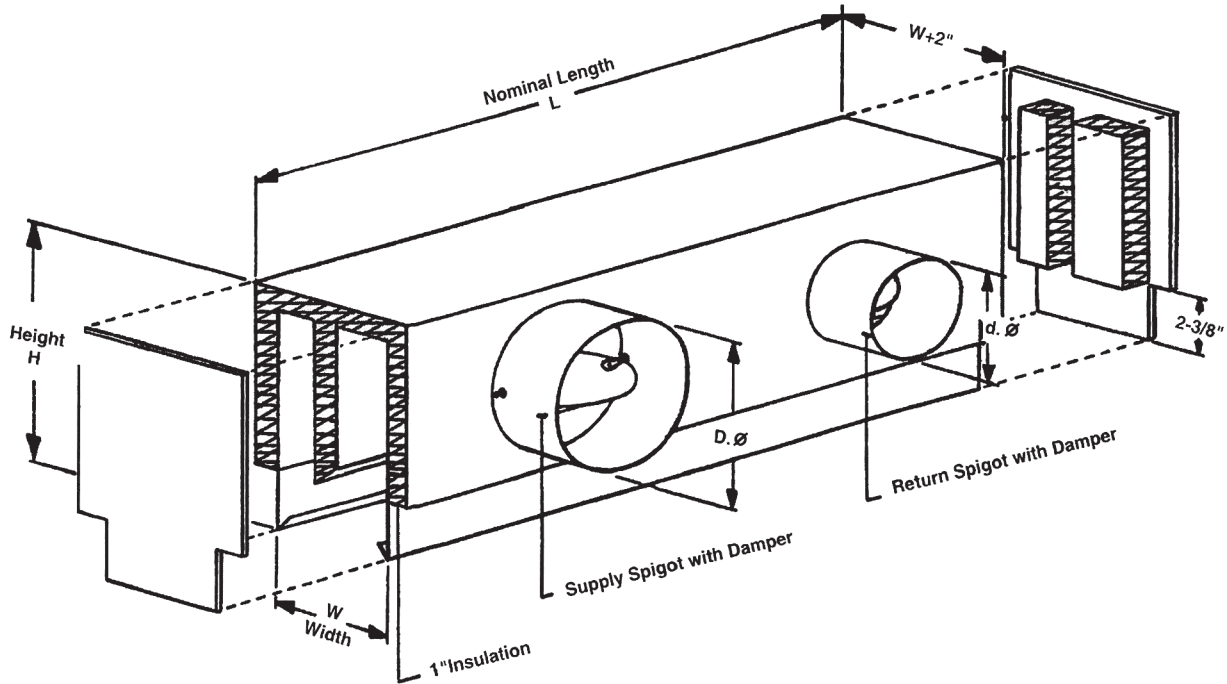
No. of Slots	1	2	3	4	5	6	7	8
Height (in.)	9.36	10.36	12.36	12.36	14.36	14.36	16.36	16.36
Width (in.)	2.28	3.62	4.96	6.29	7.68	9.02	10.28	11.57
Diameter (in.)	5	6	8	8	10	10	12	12
Spigot Length – Without Damper. (in.)	4	4	4	4	4	4	4	4



All plenums its length more than 2000mm will be connected as more than one part as required



No. of Slots	1	2	3	4	5	6	7	8
Height (in.)	9.36	10.36	12.36	12.36	14.36	14.36	16.36	16.36
Width (in.)	2.28	3.62	4.96	6.29	7.68	9.02	10.28	11.57
Diameter (in.)	5	6	8	8	10	10	12	12
Spigot Length With Damper and Without Damper. (in.)	4	4	4	4	4	4	4	4



All plenums its length more than 2000mm will be connected as more than one part as required



All plenums its length more than 2000mm will be connected as more than one part as required

**PLENUM BOXES  
PERFORMANCE DATA  
SLOT DIFFUSER WITH PLENUM 1, 2, 3 & 4 SLOT  
(3/4" SLOT WIDTH)**



الهندسة للمباني المتطورة

**CANADA DUCT Ltd.**

**1 - SLOT**

Length 2 Ft. Inlet 6 in.	Ak 0.049	CFM	15	25	35	50	75	100
		Total Pressure	0.008	0.022	0.043	0.088	0.197	0.350
		Throw	2 - 5	5 - 7	7 - 9	10 - 11	12 - 15	14 - 17
		NC	<20	<20	<20	<20	31	39
Length 4 Ft. Inlet 6 in.	Ak 0.098	CFM	25	50	75	100	125	175
		Total Pressure	0.006	0.025	0.056	0.100	0.156	0.316
		Throw	2 - 5	7 - 10	10 - 15	14 - 17	16 - 19	19 - 22
		NC	<20	<20	<20	22	28	38
Length 5 Ft. Inlet 8 in.	Ak 0.123	CFM	50	75	100	125	150	200
		Total Pressure	0.015	0.033	0.059	0.092	0.132	0.234
		Throw	6 - 9	9 - 13	12 - 17	15 - 19	17 - 21	20 - 24
		NC	<20	<20	<20	23	28	37

**2 - SLOT**

Length 2 Ft. Inlet 6 in.	Ak 0.098	CFM	25	50	75	100	125	150
		Total Pressure	0.006	0.025	0.056	0.100	0.156	0.224
		Throw	2 - 5	7 - 10	10 - 15	14 - 17	16 - 19	17 - 21
		NC	<20	<20	<20	22	28	34
Length 4 Ft. Inlet 8 in.	Ak 0.196	CFM	50	100	150	200	250	300
		Total Pressure	0.007	0.026	0.059	0.104	0.163	0.234
		Throw	3 - 6	10 - 14	14 - 20	19 - 24	22 - 27	24 - 29
		NC	<20	<20	<20	25	31	37
Length 5 Ft. Inlet 10 in.	Ak 0.245	CFM	75	125	200	250	300	375
		Total Pressure	0.009	0.024	0.062	0.097	0.139	0.218
		Throw	5 - 9	11 - 15	17 - 24	21 - 27	24 - 29	27 - 32
		NC	<20	<20	<20	26	31	38

**3 - SLOT**

Length 2 Ft. Inlet 8 in.	Ak 0.147	CFM	50	75	125	175	225	250
		Total Pressure	0.011	0.024	0.066	0.129	0.214	0.264
		Throw	4 - 8	8 - 12	14 - 19	19 - 21	21 - 24	22 - 26
		NC	<20	<20	<20	28	35	39
Length 4 Ft. Inlet 10 in.	Ak 0.294	CFM	75	150	225	300	375	450
		Total Pressure	0.006	0.026	0.058	0.102	0.160	0.231
		Throw	3 - 7	12 - 17	18 - 25	24 - 29	27 - 32	30 - 35
		NC	<20	<20	<20	27	33	38
Length 5 Ft. Inlet 12 in.	Ak 0.368	CFM	100	200	300	400	500	600
		Total Pressure	0.007	0.028	0.063	0.111	0.174	0.250
		Throw	4 - 9	14 - 20	21 - 29	28 - 33	31 - 37	34 - 41
		NC	<20	<20	21	30	36	41

**4 - SLOT**

Length 2 Ft. Inlet 8 in.	Ak 0.196	CFM	50	100	150	200	250	300
		Total Pressure	0.007	0.026	0.059	0.104	0.163	0.234
		Throw	3 - 6	10 - 14	14 - 19	19 - 24	22 - 27	24 - 29
		NC	<20	<20	<20	25	31	37
Length 2 Ft. Inlet 12 in.	Ak 0.392	CFM	100	200	300	400	500	600
		Total Pressure	0.006	0.025	0.056	0.100	0.156	0.224
		Throw	4 - 8	14 - 19	20 - 28	27 - 33	31 - 37	34 - 41
		NC	<20	<20	<20	28	34	40
Length 2 Ft. Inlet 12 in.	Ak 0.490	CFM	150	250	400	500	600	750
		Total Pressure	0.010	0.027	0.070	0.109	0.157	0.245
		Throw	6 - 12	15 - 21	24 - 33	30 - 37	34 - 41	38 - 45
		NC	<20	<20	23	29	34	41

- Total Pressure in inches water.
- Throw data based on isothermal air at 100 and 50 FPM terminal velocity.
- NC data based on 10dB room attenuation.



All plenums its length more than 2000mm will be connected as more than one part as required

**PLENUM BOXES  
PERFORMANCE DATA  
SLOT DIFFUSER WITH PLENUM 1, 2, 3 & 4 SLOT  
(1" SLOT WIDTH)**



الهندسة للمقوى الصخرية المتطورة



**1 - SLOT**

Length 2 Ft. Inlet 6 in.	Ak 0.057	CFM	20	35	50	75	100	125
		Total Pressure	0.010	0.031	0.063	0.141	0.251	0.393
		Throw	3 - 6	6 - 9	9 - 13	12 - 15	14 - 17	16 - 19
Length 4 Ft. Inlet 8 in.	Ak 0.114	CFM	50	75	100	150	200	250
		Total Pressure	0.016	0.036	0.064	0.144	0.256	0.400
		Throw	6 - 9	9 - 14	13 - 18	17 - 21	20 - 24	22 - 27
Length 5 Ft. Inlet 10 in.	Ak 0.143	CFM	75	100	150	200	250	300
		Total Pressure	0.022	0.040	0.089	0.159	0.248	0.358
		Throw	8 - 12	11 - 16	17 - 21	20 - 24	22 - 27	24 - 29
		NC	<20	<20	22	30	37	44

**2 - SLOT**

Length 2 Ft. Inlet 6 in.	Ak 0.114	CFM	50	75	100	125	150	200
		Total Pressure	0.019	0.042	0.075	0.117	0.169	0.300
		Throw	6 - 9	9 - 14	13 - 18	16 - 19	17 - 21	20 - 24
Length 4 Ft. Inlet 8 in.	Ak 0.228	CFM	100	150	200	250	300	400
		Total Pressure	0.020	0.045	0.079	0.124	0.178	0.317
		Throw	9 - 13	13 - 19	18 - 25	22 - 27	24 - 29	28 - 33
Length 5 Ft. Inlet 10 in.	Ak 0.285	CFM	150	200	250	300	400	500
		Total Pressure	0.026	0.046	0.072	0.104	0.184	0.288
		Throw	12 - 17	16 - 22	20 - 28	24 - 29	28 - 33	31 - 37
		NC	<20	<20	20	25	33	38

**3 - SLOT**

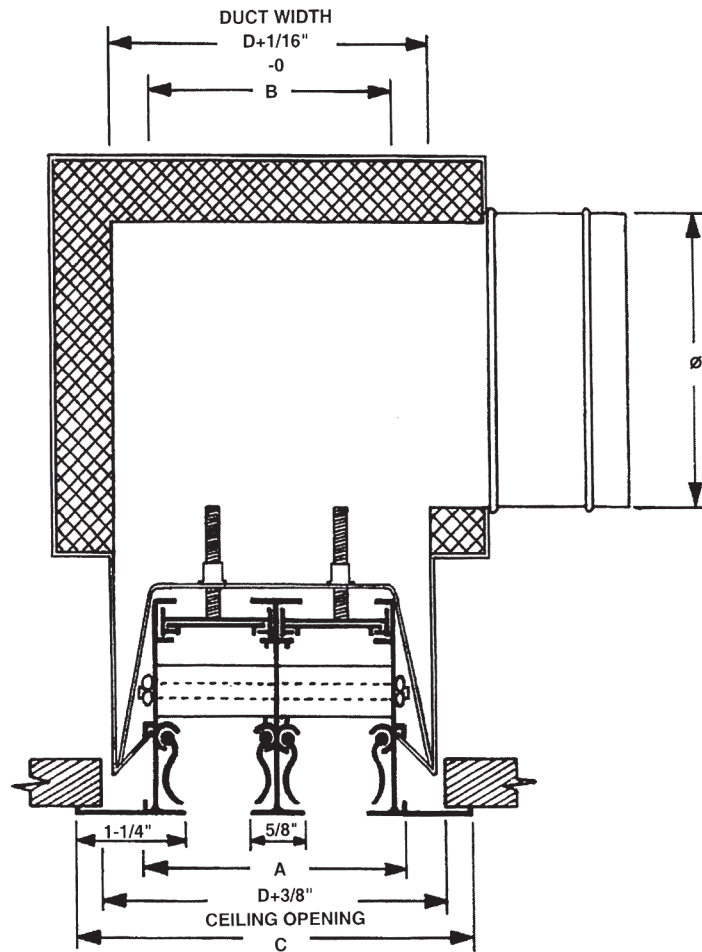
Length 2 Ft. Inlet 8 in.	Ak 0.171	CFM	75	100	150	175	225	300
		Total Pressure	0.018	0.031	0.070	0.096	0.158	0.281
		Throw	8 - 10	10 - 15	15 - 22	18 - 23	21 - 25	24 - 29
Length 4 Ft. Inlet 10 in.	Ak 0.342	CFM	150	225	300	400	500	600
		Total Pressure	0.019	0.044	0.078	0.138	0.216	0.311
		Throw	11 - 16	16 - 23	23 - 29	29 - 33	31 - 37	34 - 41
Length 5 Ft. Inlet 12 in.	Ak 0.428	CFM	200	300	400	500	600	700
		Total Pressure	0.021	0.047	0.083	0.130	0.187	0.254
		Throw	13 - 18	20 - 27	26 - 33	33 - 37	34 - 41	37 - 44
		NC	<20	<20	24	30	34	38

**4 - SLOT**

Length 2 Ft. Inlet 8 in.	Ak 0.228	CFM	100	150	200	250	300	400
		Total Pressure	0.020	0.045	0.079	0.1224	0.178	0.124
		Throw	9 - 13	13 - 19	18 - 25	22 - 27	24 - 29	28 - 33
Length 4 Ft. Inlet 12 in.	Ak 0.456	CFM	200	300	400	500	600	700
		Total Pressure	0.019	0.042	0.075	0.117	0.169	0.230
		Throw	13 - 18	19 - 26	25 - 35	32 - 37	34 - 41	37 - 44
Length 5 Ft. Inlet 12 in.	Ak 0.570	CFM	300	400	500	600	700	800
		Total Pressure	0.030	0.054	0.084	0.121	0.165	0.215
		Throw	17 - 24	23 - 31	28 - 39	34 - 41	37 - 44	40 - 47
		NC	<20	<20	23	28	32	36

- Total Pressure in inches water.
- Throw data based on isothermal air at 100 and 50 FPM terminal velocity.
- NC data based on 10dB room attenuation.

# INSTALLATION DETAILS



All plenums its length more than 2000mm will be connected as more than one part as required

**Ceiling opening – width for 3/4" slot**

No. of Slots	1	2	3	4	5	6	7	8
A (in.)	1.65	2.99	4.33	5.67	7.01	8.35	9.65	10.94
B (in.)	1.42	2.76	4.09	5.43	6.81	8.15	9.41	10.71
C (in.)	3.31	4.61	5.94	7.28	8.58	9.96	11.38	12.64
D (in.)	2.28	3.62	4.95	6.29	7.67	9.01	10.27	11.57

**Ceiling opening – width for 1" slot**

No. of Slots	1	2	3	4	5	6	7	8
A (in.)	1.94	3.58	5.23	6.88	8.52	10.17	11.81	13.46
B (in.)	1.70	3.35	4.99	6.64	8.28	9.93	11.58	13.22
C (in.)	3.48	5.13	6.77	8.42	10.06	11.71	13.36	15.00
D (in.)	2.57	4.21	5.86	7.50	9.15	10.80	12.44	14.09