

2022
PRODUCTS

Jet Diffuser

CANADA DUCT Ltd.

Product Catalogue



ALL AIR PRODUCTS

Jet Diffuser products are manufactured by



الكنديّة للقوى الكمبربانية المتطورة





Models

- JD
JD-PB "With Plenum Box"



Finish

- Standard Finish - White



Features

- Four sizes are available $\varnothing 8''$ to $\varnothing 14''$ to enhance control of sound levels.
- One to Four no. of jet units assemblies to meet the requirements of large air amounts.
- Optional Built-in plenum box.
Rectangular damper mounted in plenum box, or Butterfly round damper mounted in jet neck.

Jet Diffuser
CANADA DUCT Ltd.

Model Use

Canadaduct Model JD is suitable for Long Throw & Large air volumes air distribution.

Unit Design

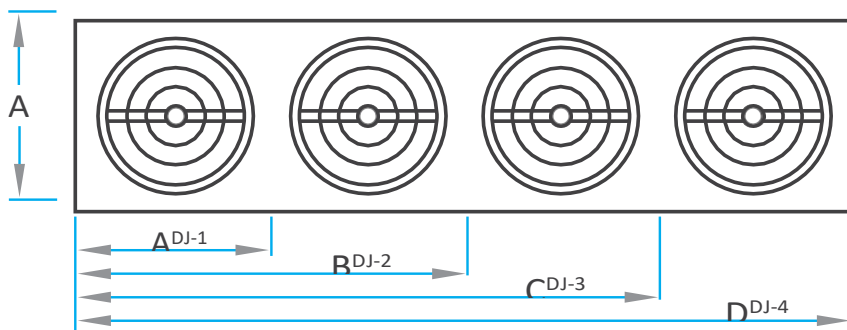
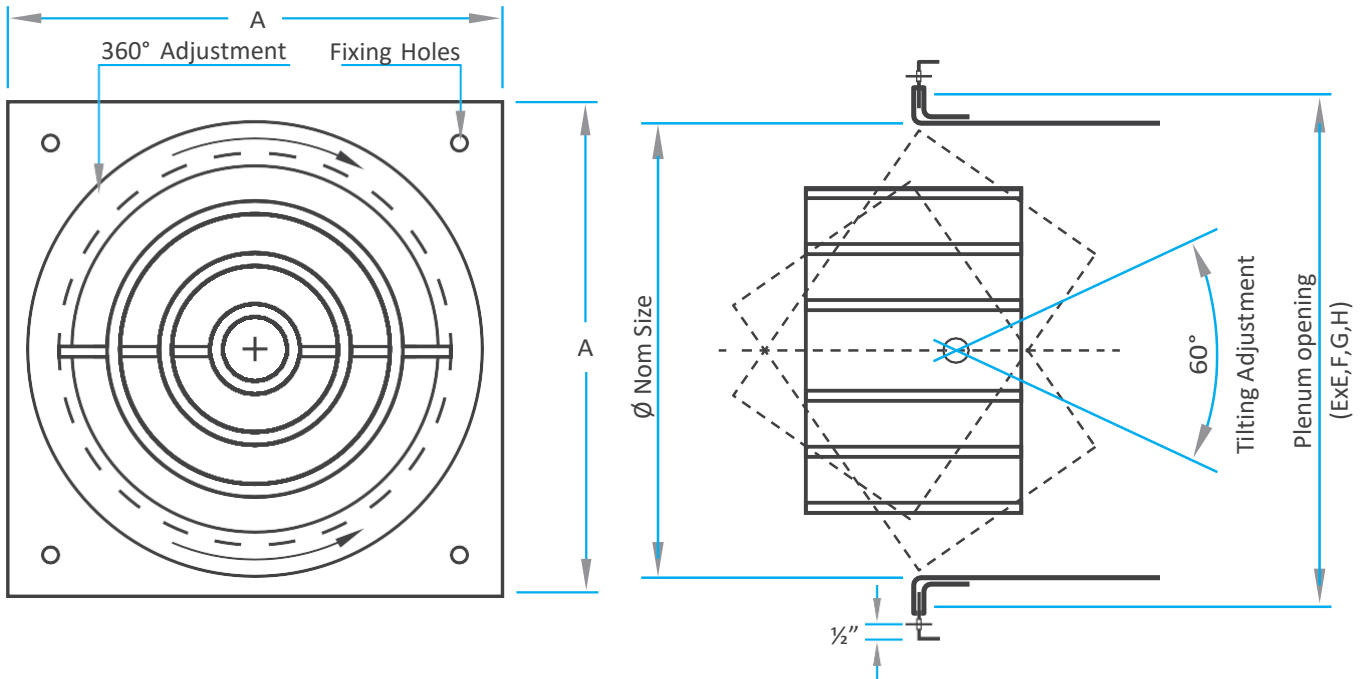
It is ideal solution for high ceiling applications such as Industrial & sports hall.

Appearance

Directional control enables air to directed vertical or horizontally with 360 rotation of mounting plate.

- Dimensions

الكتبة القوي الكهربائية المتطورة



Size	JD 1		JD 2		JD 3		JD 4	
	Jet Size	Plenum Size	Jet Size	Plenum Size	Jet Size	Plenum Size	Jet Size	Plenum Size
Nom. Size	A x A	E x E	A x B	E x F	A x C	E x G	A x D	E x H
Ø 8	14 x 14	12 x 12	14 x 26	12 x 24	14 x 38	12 x 36	14 x 50	12 x 48
Ø 10	16 x 16	14 x 14	16 x 30	14 x 28	16 x 44	14 x 42	14 x 58	14 x 56
Ø 12	18 x 18	16 x 16	18 x 34	16 x 32	18 x 50	16 x 66	16 x 66	16 x 64
Ø 14	20 x 20	18 x 18	20 x 38	18 x 36	20 x 56	18 x 54	20 x 74	18 x 72

- Performance data

- Nominal Size ϕ 8

الكنديّة القويّة الكهروإنيّة المتطورة

CFM	No. of JD	P_s	Throw (T)	Projection (L)	NC
100	1	0.02	20	23	25
200	1	0.06	28	32	25
300	1	0.13	32	37	33
	2	0.04	28	32	23
400	1	0.24	40	46	42
	2	0.06	27	31	28
500	1	0.37	50	58	51
	2	0.10	30	35	35
	3	0.04	20	30	24
600	2	0.13	38	44	36
	3	0.06	30	35	29
	4	0.04	26	30	26
700	2	0.18	40	46	42
	3	0.09	35	40	34
	4	0.05	29	33	29
800	2	0.24	46	53	45
	3	0.10	38	44	36
	4	0.06	32	37	31
900	2	0.30	50	58	48
	3	0.13	40	46	37
	4	0.08	35	40	35
1000	3	0.16	48	55	41
	4	0.10	37	43	38
1200	3	0.24	50	58	48
	4	0.13	42	48	39

CANADA DUCT Ltd.